

29SA Single Axle Utility

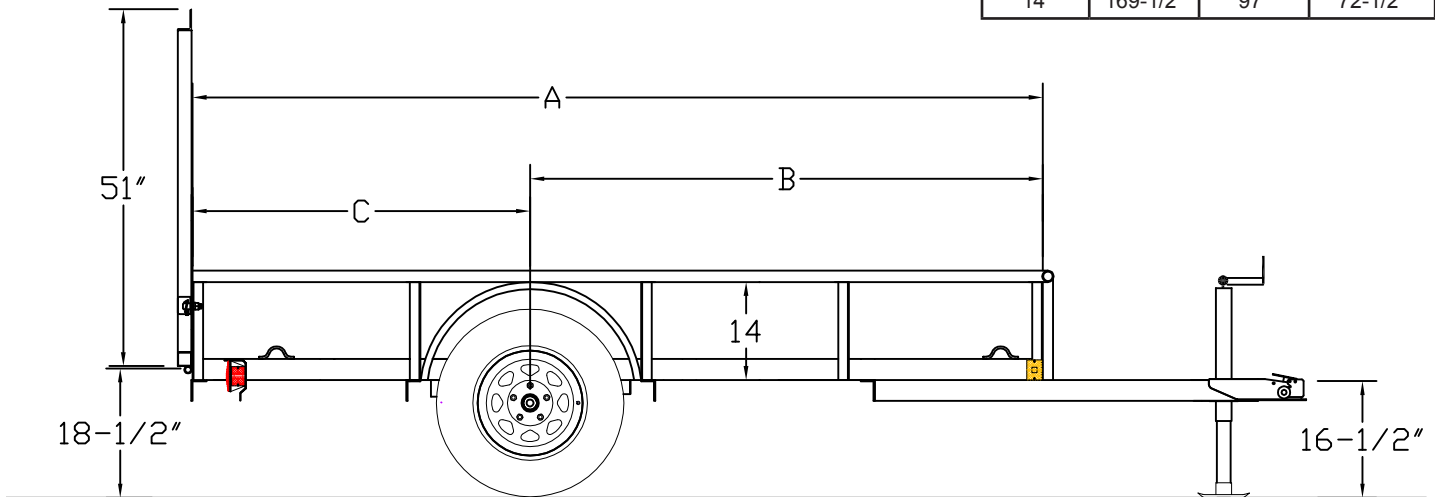
G.V.W.R.	2,995#	AXLE	3,500# EZ Lube w/Brake Flanges
G.A.W.R.	2,995#	SUSPENSION	Multi-Leaf Spring
COUPLER	2" A-Frame	TIRE	ST205/75-15 Load Range C
SAFETY CHAINS	1/4" Grd. 30 w/Safety Latch Hook (2 each)	WHEEL	15 x 5 White Spoke 5 Bolt
JACK	2K Top Wind (Bolted On)	FLOOR	2" Pine
TONGUE	3" x 2" x 3/16" Angle	LIGHTS	D.O.T. Stop, Tail, Turn & Clearance
TOP RAIL	1-5/8" Pipe	ELEC. PLUG	4-Way Flat w/Loom
FRAME	3" x 2" x 3/16" Angle	FINISH (Prep)	Steel is Cleaned to Ensure a Professional Smooth Finish.
CROSSMEMBERS	3" x 2" x 3/16" Angle	FINISH	Superior Quality Finish is Applied for a Highly Decorative and Protective Finish.
UPRIGHTS	14" Tall Angle, 1-1/2" x 1-1/2" Angle		
FENDERS	9" x 32" Rolled Formed w/Back		

Standard Features

- Safety Chains Attached w/Cold Rolled Eyelets
- Sand Foot on Jack
- Lower Jack Support Plate
- Brake Flanges for Easy Brake Addition
- Floor Secured w/Torx Screws
- 4 Tie Down Loops Inside
- EZ Lube Axle
- Available in Black Only
- Available in 10' and 14' Only

Shown with Optional Rampgate

Dimensions			
Length	A	B	C
10'	121-1/2"	73"	48-1/2"
14'	169-1/2"	97"	72-1/2"



MODEL#	WEIGHT	DESCRIPTION
29SA-10	750#	60" x 10' Single Axle Trailer
29SA-14	910#	60" x 14' Single Axle Trailer

OPTIONS

Spare Tire Mount	4' Rampgate - Fold Flat
Spare Tire (ST205/75-15 LR-C)	

STANDARD MODEL - NO OTHER OPTIONS AVAILABLE

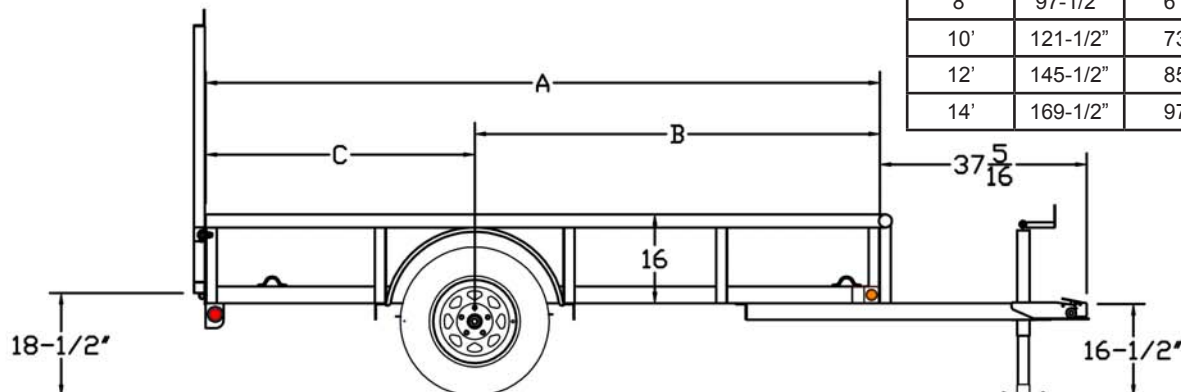
30SA / 35SA Single Axle Utility

G.V.W.R.	2,995#	AXLE	3,500# EZ Lube w/Brake Flanges
G.A.W.R.	2,995#	SUSPENSION	Multi-Leaf Spring
COUPLER	2" A-Frame	TIRE	ST205/75-15 Load Range C
SAFETY CHAINS	1/4" Grd. 30 w/Safety Latch Hook (2 each)	WHEEL	15 x 5 White Spoke 5 Bolt
JACK	2K Top Wind (Bolted On)	FLOOR	2" Pine
TONGUE	3" Channel	LIGHTS	LED D.O.T. Stop, Tail, Turn & Clearance
TOP RAIL	30SA - 2" Pipe/35SA - 2-3/8" Pipe	ELEC. PLUG	4-Way Flat w/Loom
FRAME	3" x 2" x 3/16" Angle	FINISH (Prep)	Steel is Cleaned to Ensure a Professional Smooth Finish.
CROSSMEMBERS	3" x 2" x 3/16" Angle	FINISH	Superior Quality Finish is Applied for a Highly Decorative and Protective Finish.
UPRIGHTS	15" Tall - 1/2" Angle (30SA) and 2" Angle (35SA)		
FENDERS	9" x 32" Rolled Formed w/Back		

Standard Features

- Safety Chains Attached w/Cold Rolled Eyelets
- Sand Foot on Jack
- Lower Jack Support Plate
- 3,500# Idler EZ Lube Axle w/Flanges for Easy Brake Addition
- Pipe Top Rail
- 4 Tie Down Loops
- Grommet Mount Sealed LED Lighting

Shown with Optional Rampgate



Dimensions			
Length	A	B	C
8'	97-1/2"	61"	36-1/2"
10'	121-1/2"	73"	48-1/2"
12'	145-1/2"	85"	60-1/2"
14'	169-1/2"	97"	72-1/2"

MODEL#	WEIGHT	DESCRIPTION
30SA-08	633#	60" x 8' Single Axle
30SA-10	723#	60" x 10' Single Axle
30SA-12	813#	60" x 12' Single Axle
30SA-14	903#	60" x 14' Single Axle
35SA-10	893#	77" x 10' Single Axle
35SA-12	983#	77" x 12' Single Axle
35SA-14	1,073#	77" x 14' Single Axle

OPTIONS

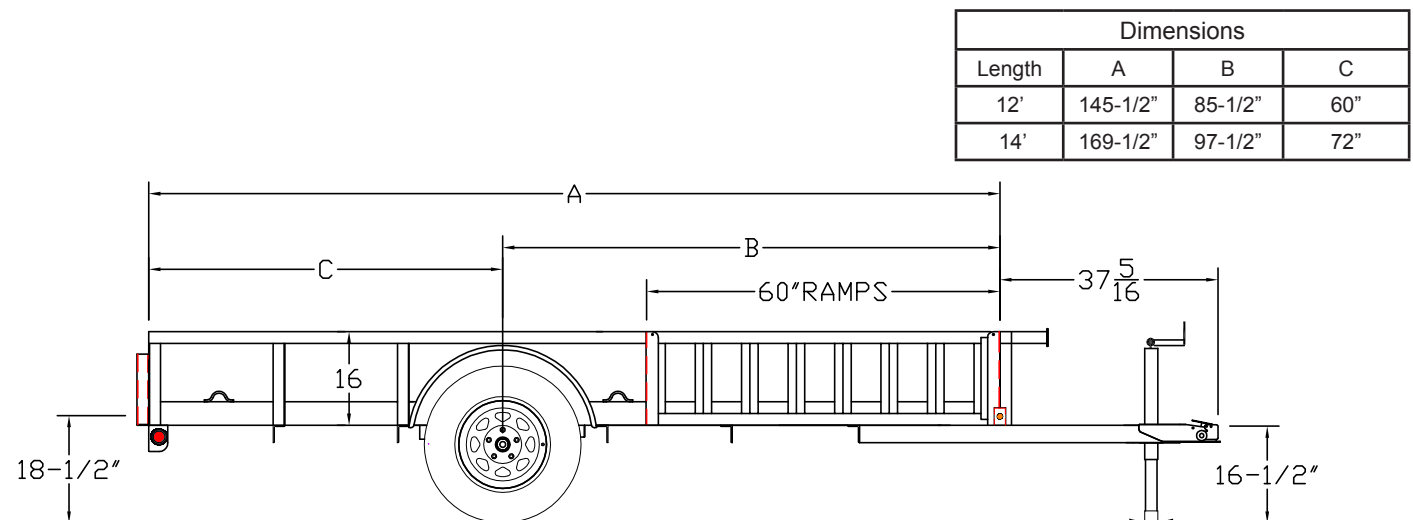
2" Forged Coupler	4' Rampgate - Fold Flat (5W)
2K Fold-Up Jack	4' Rampgate - Fold Flat (6.5W)
Set Back Jack	Spring Assist Option - Rampgate
Electric Brakes w/Complete Break-Away Kit	Car Hauler Style
Spare Tire Mount (Side)	Tie Down Pockets (Each)
Spare Tire (ST205/75-15 LR-C)	4' Slide In Ramps (35SA Only)

35SA-RS/R SX Single Axle Utility

G.V.W.R.	2,995#	AXLE	3,500# EZ Lube w/Brake Flanges
G.A.W.R.	2,995#	SUSPENSION	Multi-Leaf Spring
COUPLER	2" A-Frame	TIRE	ST205/75-15 Load Range C
SAFETY CHAINS	1/4" Grd. 30 w/Safety Latch Hook (2 each)	WHEEL	15 x 5 White Spoke 5 Bolt
JACK	2K Top Wind (Bolted On)	FLOOR	2" Pine
TONGUE	3" Channel Tongue	LIGHTS	LED D.O.T. Stop, Tail, Turn & Clearance
TOP RAIL	2" Square Tubing	ELEC. PLUG	4-Way Flat w/Loom
FRAME	4" x 3" x 1/4" Angle	FINISH (Prep)	Steel is Cleaned to Ensure a Professional Smooth Finish.
CROSSMEMBERS	3" x 2" x 3/16" Angle	FINISH	Superior Quality Finish is Applied for a Highly Decorative and Protective Finish.
UPRIGHTS	14" Tall, 2" x 2" x 1/8" Angle		
FENDERS	9" x 32" Rolled Formed w/Back		

Standard Features

- Safety Chains Attached w/Cold Rolled Eyelets
- Sand Foot on Jack
- Lower Jack Support Plate
- 2" Square Tubing Top Rail
- 6 Tie Down Loops
- 3,500# EZ Lube Axle w/Flanges for Easy Brake Addition
- 2-5' Square Tubing Ramps (16" Wide) that can be used on either Side and on Rear
- Spare Tire Mount
- Rear Tail Board Channels
- Grommet Mount Sealed LED Lighting



MODEL#	WEIGHT	DESCRIPTION
35SA-12RS	1,070#	77" x 12' Single Axle
35SA-12RSX	1,140#	83" x 12' Single Axle
35SA-14RS	1,150#	77" x 14' Single Axle
35SA-14RSX	1,220#	83" x 14' Single Axle

OPTIONS

2" Forged Coupler	Spare Tire (ST205/75-15 LR-C)
2K Fold-Up Jack	4' Rampgate - Fold Flat (6.5W)
Electric Brakes w/Complete Break-Away Kit	4' Rampgate - Fold Flat (7W)

STANDARD MODEL - NO OTHER OPTIONS AVAILABLE

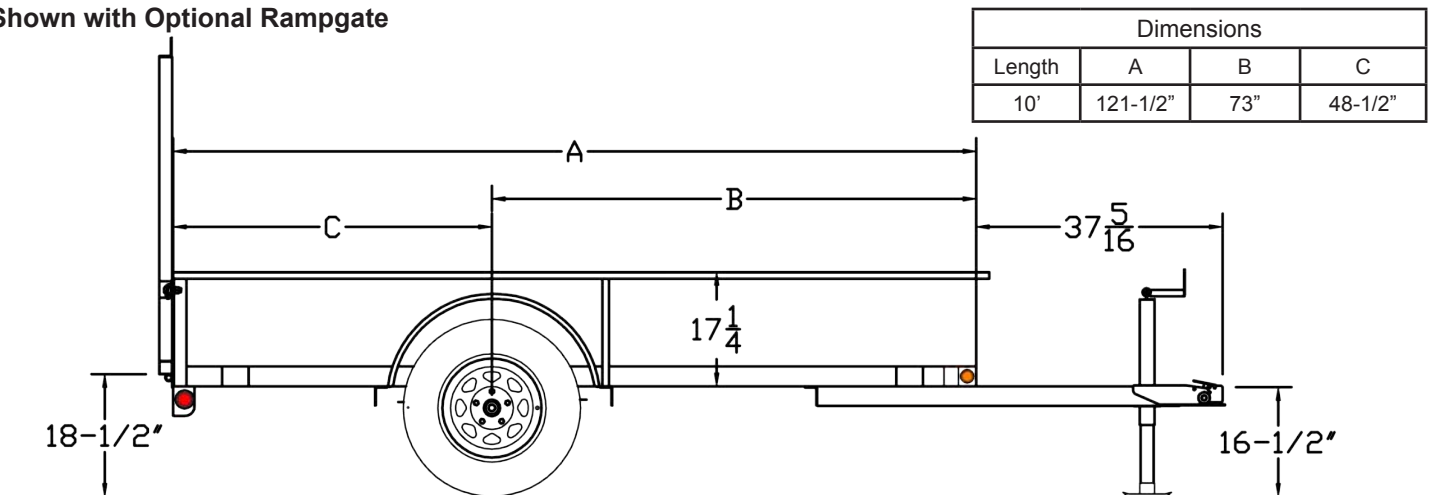
30AA / 35AA Single Axle All-Around

G.V.W.R.	2,995#	AXLE	3,500# EZ Lube w/Brake Flanges
G.A.W.R.	2,995#	SUSPENSION	Multi-Leaf Spring
COUPLER	2" A-Frame	TIRE	ST205/75-15 Load Range C
SAFETY CHAINS	1/4" Grd. 30 w/Safety Latch Hook (2 each)	WHEEL	15 x 5 White Spoke 5 Bolt
JACK	2K Top Wind (Bolted On)	FLOOR	2" Pine
TONGUE	3" Channel	LIGHTS	LED D.O.T. Stop, Tail, Turn & Clearance
SIDES	14" Solid Formed (14 Ga.) Side Panels w/2" Lip	ELEC. PLUG	4-Way Flat w/Loom
FRAME	3" x 2" x 3/16" Angle	FINISH (Prep)	Steel is Cleaned to Ensure a Professional Smooth Finish.
CROSSMEMBERS	3" x 2" x 3/16" Angle	FINISH	Superior Quality Finish is Applied for a Highly Decorative and Protective Finish.
UPRIGHTS			
FENDERS	9" x 32" Rolled Formed		

Standard Features

- Safety Chains Attached w/Cold Rolled Eyelets
- Sand Foot for Jack
- Lower Jack Support Plate
- 17-1/4" Solid Formed Sheet Sides
- Floor Secured w/Torx Screws
- 4 Tie Down Loops Inside
- 3,500# EZ Lube Axle w/Brake Flanges for Easy Brake Addition
- Grommet Mount Sealed LED Lighting

Shown with Optional Rampgate



MODEL#	WEIGHT	DESCRIPTION
30AA-10	840#	60" x 10' Single Axle All Around
35AA-10	940#	77" x 10' Single Axle All Around

OPTIONS

2" Forged Coupler	Spare Tire (ST205/75-15 LR-C)
2K Fold-Up Jack	4' Rampgate - Fold Flat (5W)
Set Back Jack	4' Rampgate - Fold Flat (6.5W)
Electric Brakes w/Complete Break-Away Kit	Spring Assist Option - Rampgate
Spare Tire Mount (Side)	

STANDARD MODEL - NO OTHER OPTIONS AVAILABLE

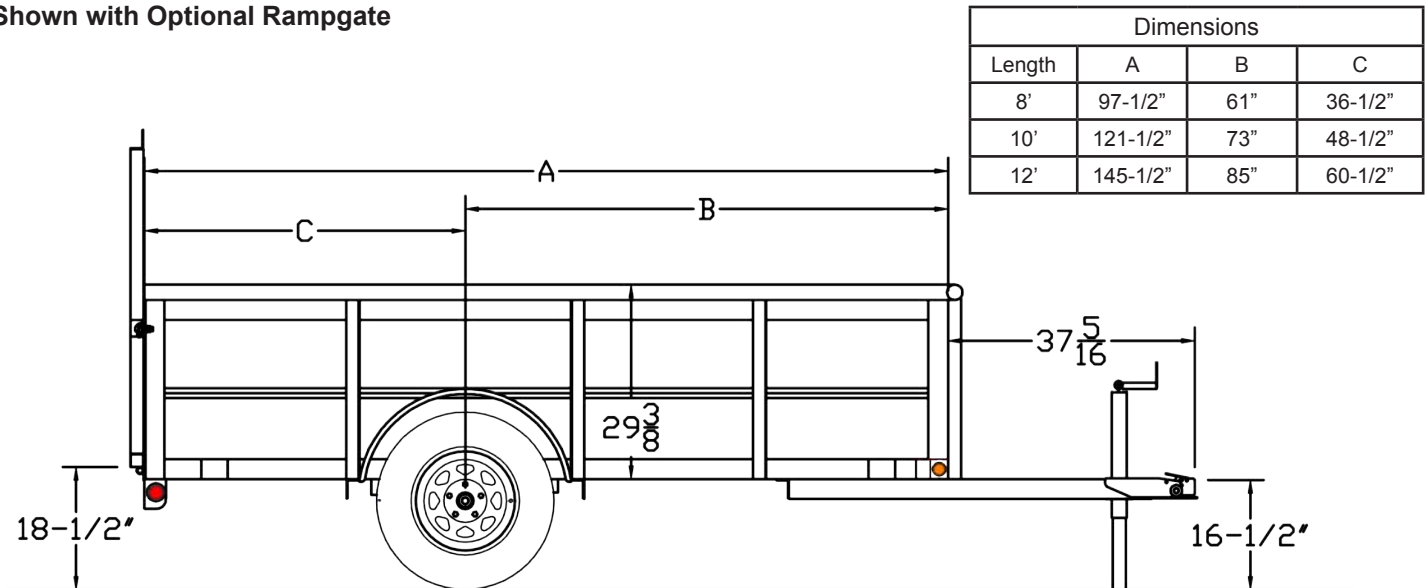
30SV / 35SV Single Axle Vanguard

G.V.W.R.	2,995#	AXLE	3,500# EZ Lube w/Brake Flanges
G.A.W.R.	2,995#	SUSPENSION	Multi-Leaf Spring
COUPLER	2" A-Frame	TIRE	ST205/75-15 Load Range C
SAFETY CHAINS	1/4" Grd. 30 w/Safety Latch Hook (2 each)	WHEEL	15 x 5 White Spoke 5 Bolt
JACK	2K Top Wind (Bolted On)	FLOOR	2" Pine
TONGUE	3" Channel	LIGHTS	LED D.O.T. Stop, Tail, Turn & Clearance
TOP RAIL	2" Pipe - 30SV / 2-3/8" Pipe on 35SV	ELEC. PLUG	4-Way Flat w/Loom
FRAME	3" x 2" x 3/16" Angle	FINISH (Prep)	Steel is Cleaned to Ensure a Professional Smooth Finish.
CROSSMEMBERS	3" x 2" x 3/16" Angle	FINISH	Superior Quality Finish is Applied for a Highly Decorative and Protective Finish.
UPRIGHTS	3" x 2" & 2" x 2" Angle		
FENDERS	9" x 32" Rolled Formed		

Standard Features

- Safety Chains Attached w/Cold Rolled Eyelets
- Sand Foot on Jack
- Lower Jack Support Plate
- 29-3/8" Tall 16 Ga. Sides w/24" V-Crimped Steel Panels
- 4 Tie Down Loops Inside Bed
- Top Rail Capped w/Self Sealing Plugs
- Floor Secured w/Torx Screws
- 3,500# EZ Lube Axle w/Brake Flanges for Easy Brake Addition
- Grommet Mount Sealed LED Lighting

Shown with Optional Rampgate



MODEL#	WEIGHT	DESCRIPTION
30SV-08	870#	60" x 8' Single Axle Vanguard
30SV-10	970#	60" x 10' Single Axle Vanguard
30SV-12	1,070#	60" x 12' Single Axle Vanguard
35SV-10	1,100#	77" x 10' Single Axle Vanguard
35SV-12	1,290#	77" x 12' Single Axle Vanguard

OPTIONS

2" Forged Coupler	Spare Tire (ST205/75-15 LR-C)
2K Fold-Up Jack	4' Rampgate - Fold Flat (5W)
Set Back Jack	4' Rampgate - Fold Flat (6.5W)
Electric Brakes w/Complete Break-Away Kit	Spring Assist Option - Rampgate
Spare Tire Mount (Side)	Removable Landscape Box - 24" x 24" x Width of Trailer

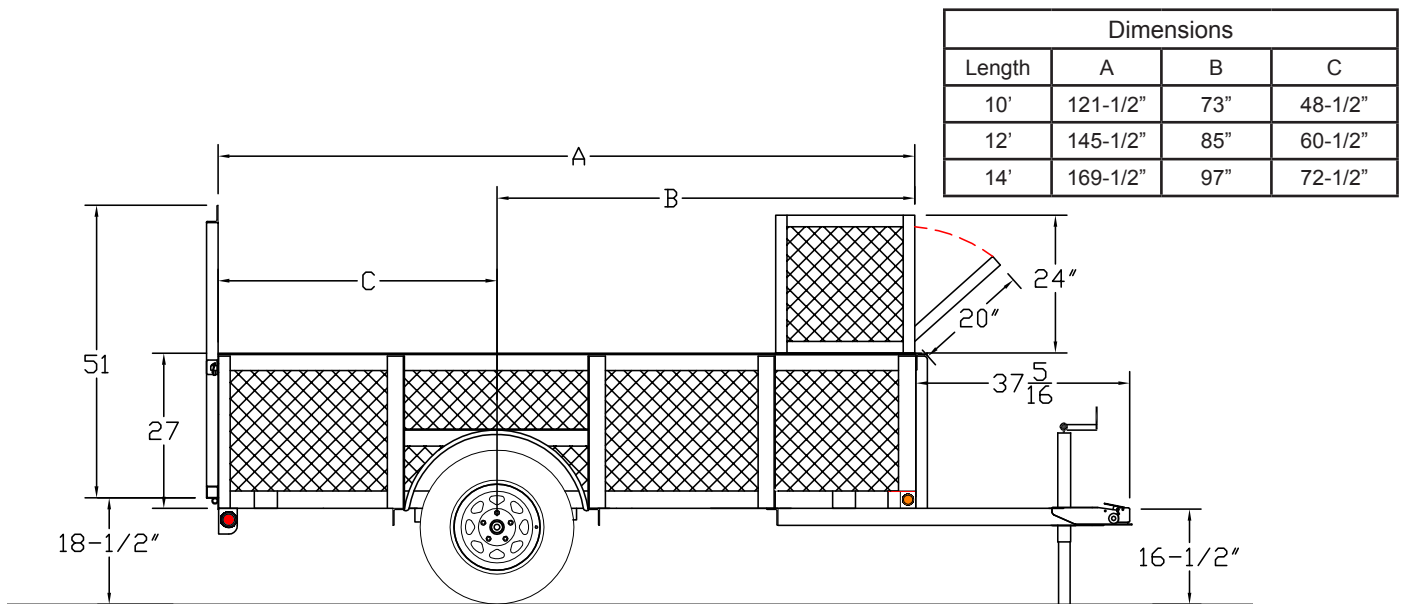
30LS / 35LS

Single Axle Landscape

G.V.W.R.	2,995#	AXLE	3,500# EZ Lube w/Brake Flanges
G.A.W.R.	2,995#	SUSPENSION	Multi-Leaf Spring
COUPLER	2" A-Frame	TIRE	ST205/75-15 Load Range C
SAFETY CHAINS	1/4" Grd. 30 w/Safety Latch Hook (2 each)	WHEEL	15 x 5 White Spoke 5 Bolt
JACK	2K Top Wind (Bolted On)	FLOOR	2" Pine
TONGUE	3" Channel	LIGHTS	LED D.O.T. Stop, Tail, Turn & Clearance
TOP RAIL	3" x 2" x 3/16" Angle	ELEC. PLUG	4-Way Flat w/Loom
FRAME	3" x 2" x 3/16" Angle	FINISH (Prep)	Steel is Cleaned to Ensure a Professional Smooth Finish.
CROSSMEMBERS	3" x 2" x 3/16" Angle	FINISH	Superior Quality Finish is Applied for a Highly Decorative and Protective Finish.
UPRIGHTS	3" x 2" x 3/16" Angle, 3" x 2" Tube		
FENDERS	9" x 32" Rolled Formed w/Back		

Standard Features

- Safety Chains Attached w/Cold Rolled Eyelets
- Sand Foot on Jack
- 24" x 24" x Width of Trailer, Lockable Landscape Box Mounted on Front of Trailer
- 2' Sides Enclosed w/Expanded Metal
- 5 Tool Holders on Rear of Landscape Box
- Floor Secured w/Torx Screws
- 3,500# EZ Lube Axle w/Brake Flanges for Easy Brake Addition
- 4' Fold Flat Rampgate w/Expanded Metal
- 30LS has 3 Center Uprights in Gate
- 35LS has 5 Center Uprights in Gate
- Grommet Mount Sealed LED Lighting



MODEL#	WEIGHT	DESCRIPTION
30LS-10	1,110#	60" x 10' Single Axle Landscape
35LS-10	1,300#	83" x 10' Single Axle Landscape
35LS-12	1,510#	83" x 12' Single Axle Landscape
35LS-14	1,720#	83" x 14' Single Axle Landscape

OPTIONS

2" Forged Coupler	2' Side Extensions w/Expanded Metal (Bolt On) - 14'
2K Fold-Up Jack	Spare Tire Mount (Side)
Set Back Jack	Spare Tire (ST205/75-15 LR-C)
Electric Brakes w/Complete Break-Away Kit	Spring Assist Option - Rampgate
2' Side Extensions w/Expanded Metal (Bolt On) - 10'	Weed Eater Racks
2' Side Extensions w/Expanded Metal (Bolt On) - 12'	